

Axco Generators for Cleaner Future

Series for small wind turbines



AXCO MOTORS - THE MATCHING SOLUTION

Axco Generators are highly efficient and robust machines tailored to meet your specific needs. They can easily be integrated, thus making the structure reliable and easy to maintain. The power converter can also be included in our package. Axco permanent magnet generators equipped with a power converter make our generators a perfect choice for small direct-drive wind power applications.

Axco technology benefits

- When mounted directly on the turbine shaft, an Axco Generator simplifies the construction. Many components can be eliminated from the power train, such as shaft coupling, coupling housing, gears or transmission and generator bearings.
- Unique performance
 - Superior efficiency: No mechanical drive losses
 - Very low cogging torque and torque ripple: Long turbine life guaranteed
 - Superior reliability: No mechanical belt, gear or lubrication unit to worry about
 - Compact size and reduced weight: Easy to integrate into the turbine system
 - Minimum need for spare parts and maintenance.
- Consumer specific approach
 - Axco Generators are tailored to match the customer needs and challenging conditions
 - Axco Generators are designed for a high efficiency to maximize the energy production
 - Axco Generators give a true edge in the competitive business environment.

Highly competent engineering team => high-technology generators

Our technology team has an extensive scientific background and ongoing cooperation with internationally reputed research institutions in the field of electric drives. Our capability to engineer efficient and versatile applications with high precision is based on the state-of-the-art design tools, testing and practical experience. These results of our long-term development work are covered with a number of patents in the field.

Our team and technology are available for your specific needs. Cooperation with industrial turbine manufacturers and power converter manufacturers guarantees robust designs capable of working in tough conditions in various industries. Our technical support team is ready to help you choose the perfect solution for your individual requirements. Contact us for more information if you are looking for adaptable motors or generators to increase your energy production.

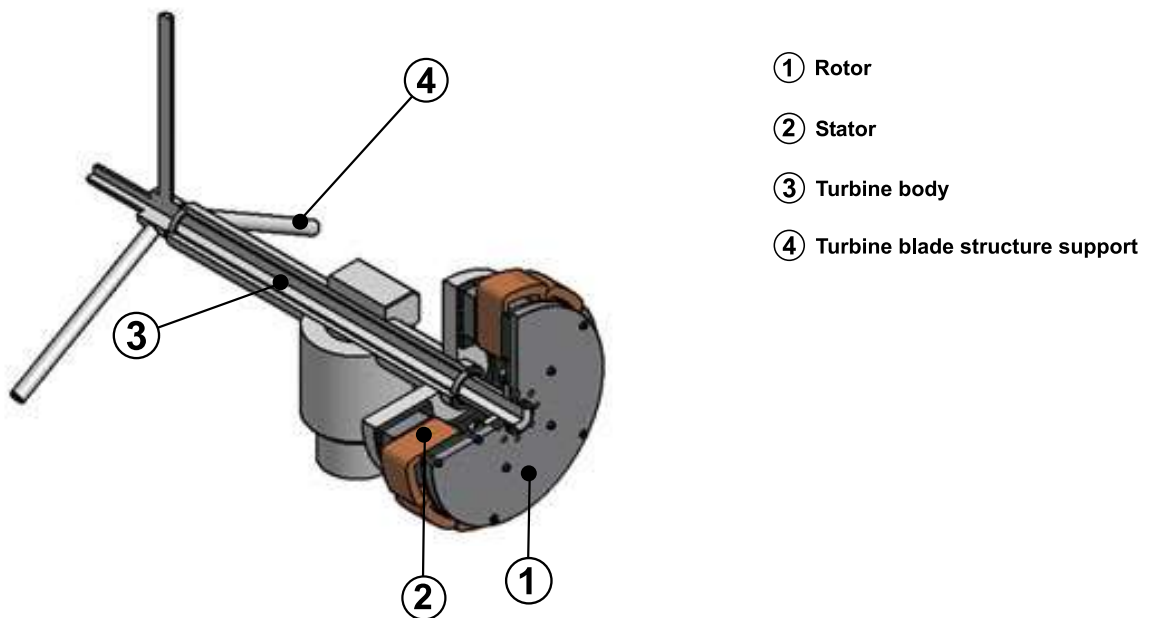
Easiness of applications

Axco Generators can easily be adopted in direct-drive wind power applications. The generators provide advantages in terms of size and appearance. The mechanical structure of a generator is simple, and the winding concept with a stator structure gives the generator a good performance and high efficiency. The phase voltage and current are pure sine wave, and torque ripple is low.

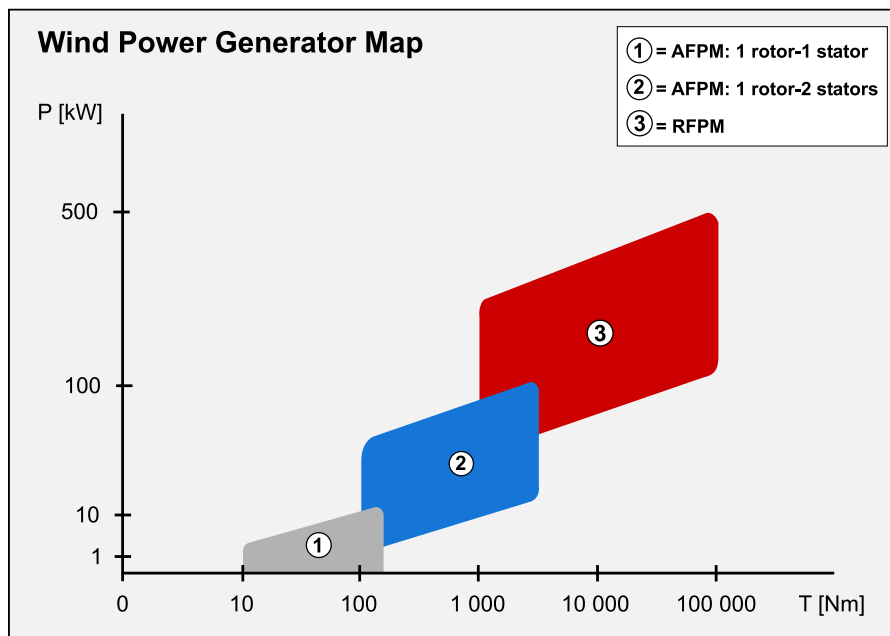
Axco Motors and Generators save energy and materials. It is truly a cleaner technology at a lower cost. Visit our websites and turn to our pragmatic and professional technical team!



Constructions



Construction and technical performance make Axco Generator a perfect choice for small wind turbine units.



Operating range of Axco Generators covers the needs of small wind turbines. For the smallest turbines (1-5 kW) we use a single rotor-single stator type of Axial Flux Permanent Magnet (AFPM) generators. The designs between 5 and 50 kW are covered by Axial Flux Permanent Magnet (AFPM) generators with a construction of single rotor-double stators. The power ratings above 50 kW are covered by Radial Flux Permanent Magnet (RFPM) generators.



■ **Shipping Address:**

Tuotantokatu 2
FI-53850 Lappeenranta
Finland

■ **Billing Address:**

Laserkatu 6
FI-53850 Lappeenranta
Finland

■ Tel: +358 5 624 3053

Fax: +358 5 624 3054

■ Email: info@axcomotors.com
firstname.lastname@axcomotors.com

■ www.axcomotors.com